

Clamp-on ultrasonic flow meter

IFX-P200 – ULTRASONIC FLOW METER “CLAMP-ON” TYPE PORTABLE INSTRUMENT

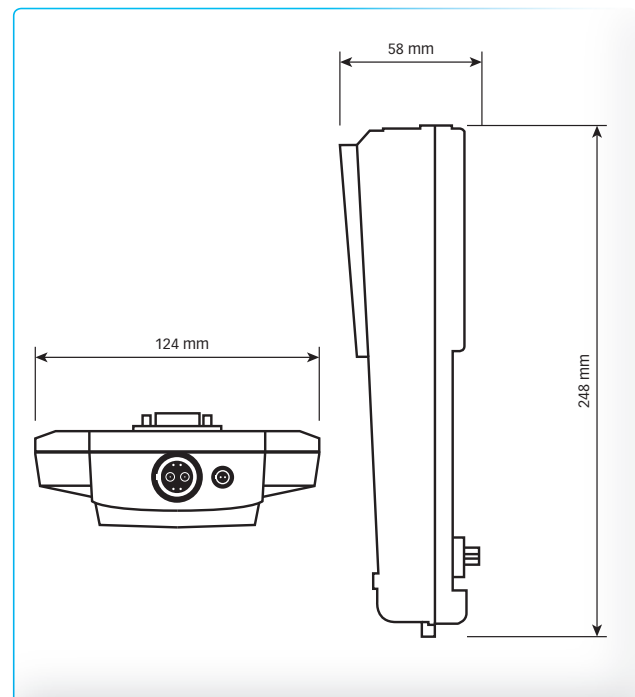


- Very robust and light portable Ultrasonic Flow Meter with graphic LCD.
- Non-intrusive portable measurement suitable for pipes in different materials and for diameters from DN10 up to DN3000 with a choice of sensors.
- Suitable for any liquid regardless conductivity, pressure or chemical characteristics.
- User friendly menu with setup assistance for easy and fast operations.
- Audible Sensor Positioning Assistant for easier sensor mounting.
- Measuring principle based on transit time with dual DSP technology for improved accuracy.
- Integral Data logger able to store up to 100.000 measurement and dedicated software for PC data download.
- Bidirectional measurement with totalizing function.
- Single sensor able to cover application from DN50 up to DN3000.

TECHNICAL DATA

Measuring Principle:	Transit time
Velocity range:	0,01 - 25 m/s
Resolution:	0,25 mm/s
Repeatability:	0,15% of measured value
Accuracy: (Flow/Volume)	±1-3% of measured value depending on application ±0,5% of measured value with process calibration against master meter
Accuracy: (velocity)	±0,5% of measured value
Measurement rate	1 Hz as standard
Response time	1 second
Damping of reading	0...99 seconds (selectable)
Solids and gas content in media	<10% in volume
Enclosure	Robust ABS housing with rubber shock protector
Protection rate	IP65
Working temperature	-10 +60 °C (for electronics)
Supply	Internal rechargeable batteries
Operation time	up to 24 hours with fully charged batteries
Display	LCD graphic with back light

Dimensions



IFX-F100 – ULTRASONIC FLOW METER “CLAMP-ON” TYPE FOR FIXED INSTALLATIONS



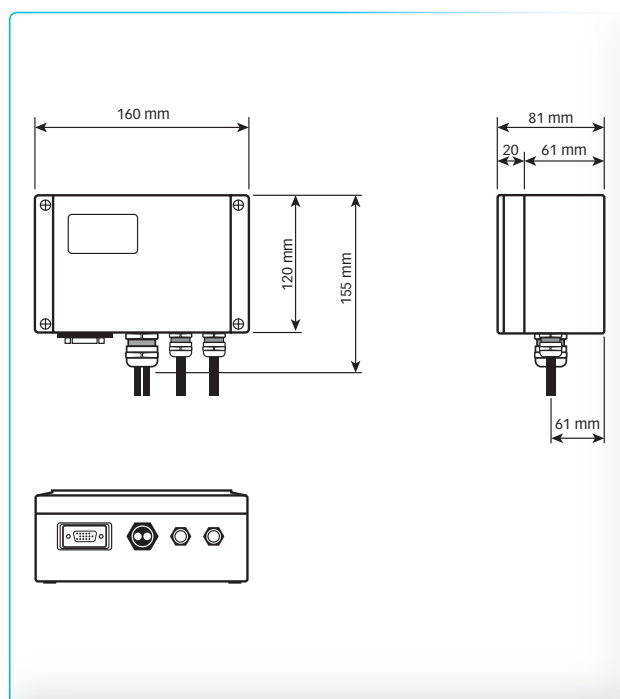
- Flow transmitter with backlight LCD display and 5 keys board programming.
- Non-intrusive fixed measurement suitable for pipes in different materials and for diameter from DN10 up to DN3000 with a choice of sensors.
- Suitable for any liquid regardless conductivity, pressure or chemical characteristics.
- User friendly menu for easy and fast operations.
- Audible Sensor Positioning Assistant for easier sensor mounting.
- Measuring principle based on transit time with dual DSP technology for improved accuracy.
- Bidirectional measurement with totalizing function.
- Optionally Digital or Analog outputs including Modbus, RTU e HART Protocol.
- On request Energy calculation function including Pt100 sensors input module. Requires clamp-on Pt100 sensors.



TECHNICAL DATA

Measuring Principle:	Transit time
Velocity range:	0,01 - 25 m/s
Resolution:	0,25 mm/s
Repeatability:	0,15% of measured value
Accuracy: (Flow/Volume)	±1-3% of measured value depending on application ±0,5% of measured value with process calibration against master meter
Accuracy: (velocity)	±0,5% of measured value
Measurement rate	1 Hz as standard
Response time	1 second
Damping of reading	0...99 seconds (selectable)
Solids and gas content in media	<10% in volume
Housing	Die cast Aluminium for wall mounted
Protection rate	IP66
Working temperature	-10 +60 °C (for electronics)
Power supply	100...240 VAC or 9...36 VDC
Power consumption	<5 W
Display	LCD graphic with back light

Dimensions





ULTRASONIC SENSORS FOR PORTABLE METER

SENSOR TYPE K1N/K1E

Pipe diameter	50...3000 mm
Sensor dimensions	60 x 30 x 34 mm
Sensor head material	Stainless Steel
Cable conduit material	Stainless Steel
Working temperature	-30 +130 °C (-30 + 200 °C for K1E)
Protection rate	IP 68
Cable length	4 m standard (on request other lengths are available)

SENSOR TYPE K4N/K4E

Pipe diameter	10...250 mm
Sensor dimensions	43 x 18 x 22 mm
Sensor head material	Stainless Steel
Cable conduit material	Stainless Steel
Working temperature	-30 +130 °C (-30 + 200 °C for K4E)
Protection rate	IP 68
Cable length	2,5 m standard (on request other lengths are available)

ULTRASONIC SENSORS FOR FIXED METER

SENSOR TYPE K1L/K1E/K1P

Pipe diameter	50...3000 mm
Sensor dimensions	60 x 30 x 34 mm
Sensor head material	Stainless Steel (plastic for K1P)
Cable conduit material	PVC
Working temperature	-30 +80 °C (-30 + 200 °C for K1E, -20 +50 °C for K1P)
Protection rate	IP 68
Cable length	5 m standard (on request other lengths are available)

SENSOR TYPE K4L/K4E

Pipe diameter	10...250 mm
Sensor dimension	43 x 18 x 22 mm
Sensor head material	Stainless Steel
Cable conduit material	PVC
Working temperature	-30 +80 °C (-30 +200 °C for K4E)
Protection rate	IP 68
Cable length	5 m standard (on request other lengths are available)

ACCESSORIES

The measuring system can be completed with a range of accessories like:

- Thickness gauge
- Clips and chains to secure the sensor on pipe
- IP67 Rigid carrying case for portable meter
- Extension cables