

ISOMAG ™

The friendly magmeter

MS 3900



ULTRA COMPACT ISOMAG METER

Warranty conditions are available on this website:
www.isomag.eu only in English version

ISOIL 
INDUSTRIA
The solutions that count

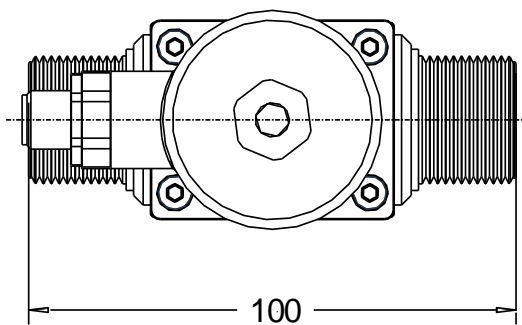
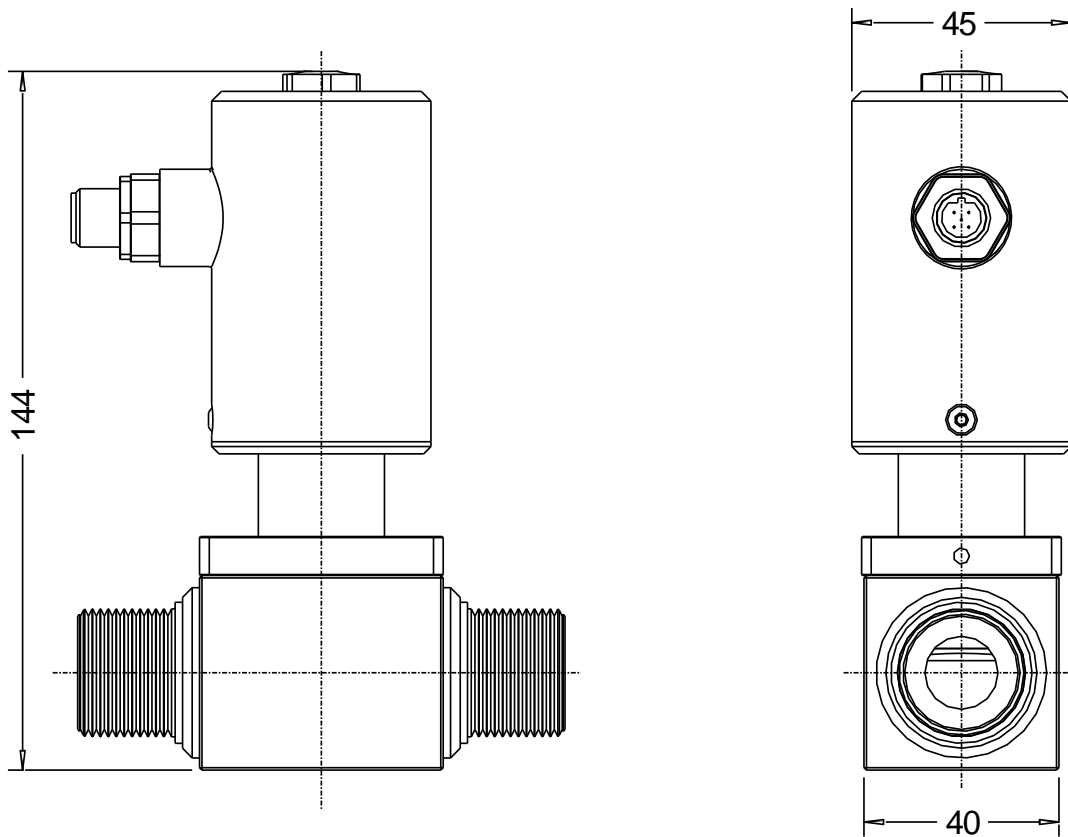
INDEX

TECHNICAL DATA	3
OVERALL DIMENSIONS	4
MS3900: COMPONENTS.....	5
ELECTRICAL CONNECTIONS	6
INPUT/OUTPUTS.....	6
GROUNDING CONNECTION	6
INPUT/OUTPUTS: SCHEMATICS	7
USER INTERFACE.....	8
AVAILABLE FUNCTIONS.....	9
HOW TO ORDER	11

TECHNICAL DATA

Nominal diameter	<input type="checkbox"/> 10 / 15 / 20 / 25 / 32 / 40 / 50
Body material	<input type="checkbox"/> Ptfе coated Zincked steel
Nominal pressure	<input type="checkbox"/> 1600 kPa
Lining material	<input type="checkbox"/> PTFE
Process connection	<input type="checkbox"/> Thread male UNI 338/NPT
Gasket material	<input type="checkbox"/> FPM
Electrodes material	<input type="checkbox"/> Stainless steel AISI 316
Temperature range	<input type="checkbox"/> Medium -10 to +100°C <input type="checkbox"/> Ambient -10 to +60°C
Vacuum resistance	<input type="checkbox"/> 20 kPa (absolute) at 100 °C
Protection	<input type="checkbox"/> IP 67
Operating Voltage	<input type="checkbox"/> 18-30 V $\overline{\text{---}}$
Electrical connections	<input type="checkbox"/> M16 connectors (5 pins)
Programming Plug In	<input type="checkbox"/> Protected plug-in for connection to PC (IF2X)
Digital Input/Outputs	<input type="checkbox"/> N° 2 OUT for volume/alarms; N° 1 freely programmable as input or output
Current Output	<input type="checkbox"/> 0-20 or 4-20 mA Programmable
Temperature measure	<input type="checkbox"/> measure of temperature -10 .. +100 (it can be set as analog out on 4-20 mA)
Empty Pipe Detect Diagnostic Funct.	<input type="checkbox"/> Yes
Bi-Directional	<input type="checkbox"/> Yes
Full scale value	<input type="checkbox"/> 0,4...10m/s
Data Storage	<input type="checkbox"/> F-ram not volatile stored measuring values on power failure
CE Certification	<input type="checkbox"/> Instrument with CE certificate
Minimum conductivity	<input type="checkbox"/> 50 $\mu\text{S/cm}$
Minimum Measurable Velocity	<input type="checkbox"/> 0,2 m/s
Accuracy	<input type="checkbox"/> FLOW RATE/VOLUME +/- 2% r.v. <input type="checkbox"/> TEMPERATURE : +/- 2°C

OVERALL DIMENSIONS



DN	GAS / NPT	L
10	1/2"	100
15	3/4"	100
20	1"	100
25	1"	200
32	1-1/4"	200
40	1-1/2"	200
50	2"	200

MS3900: COMPONENTS

PG7 for IF23 plug

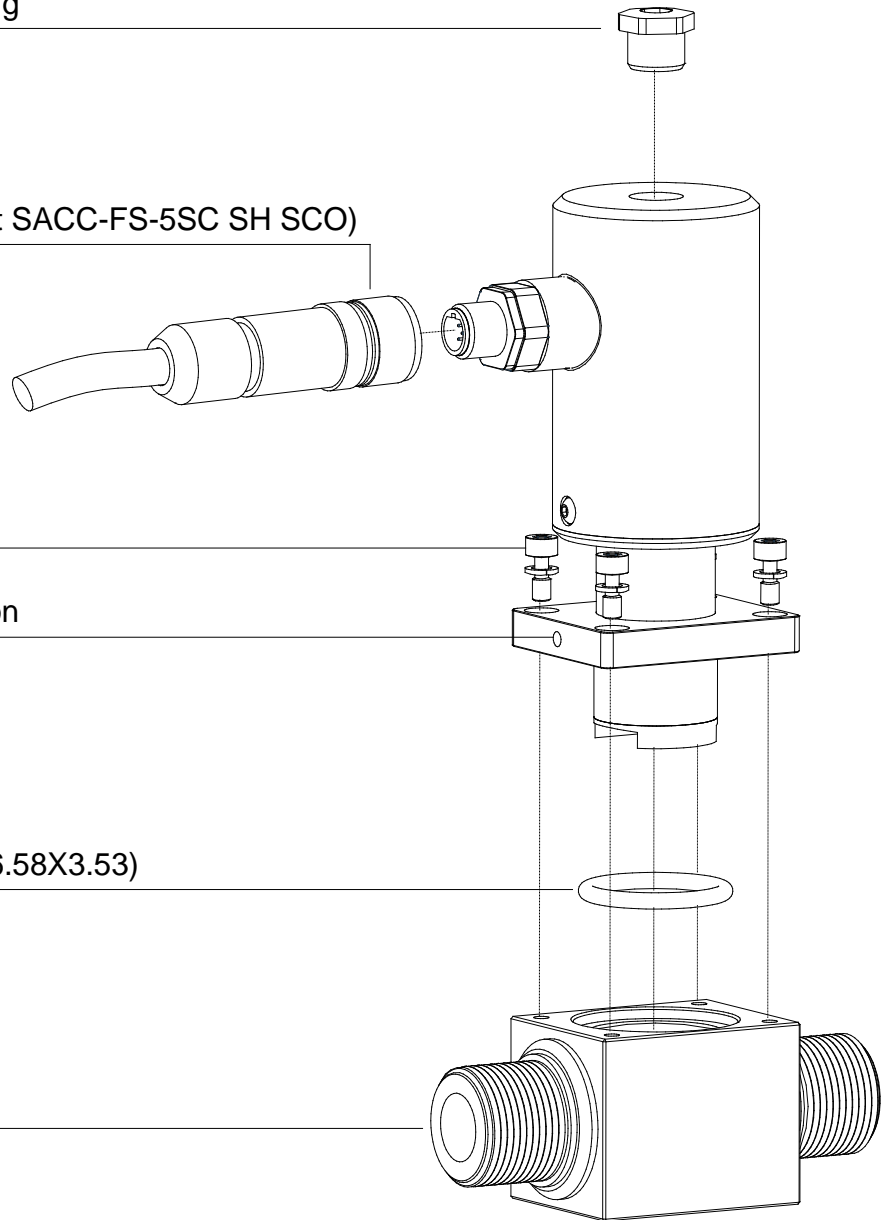
5 poles plug
(phoenix contact SACC-FS-5SC SH SCO)

M4 screws

Ground connection

O-Ring 4106 (26.58X3.53)

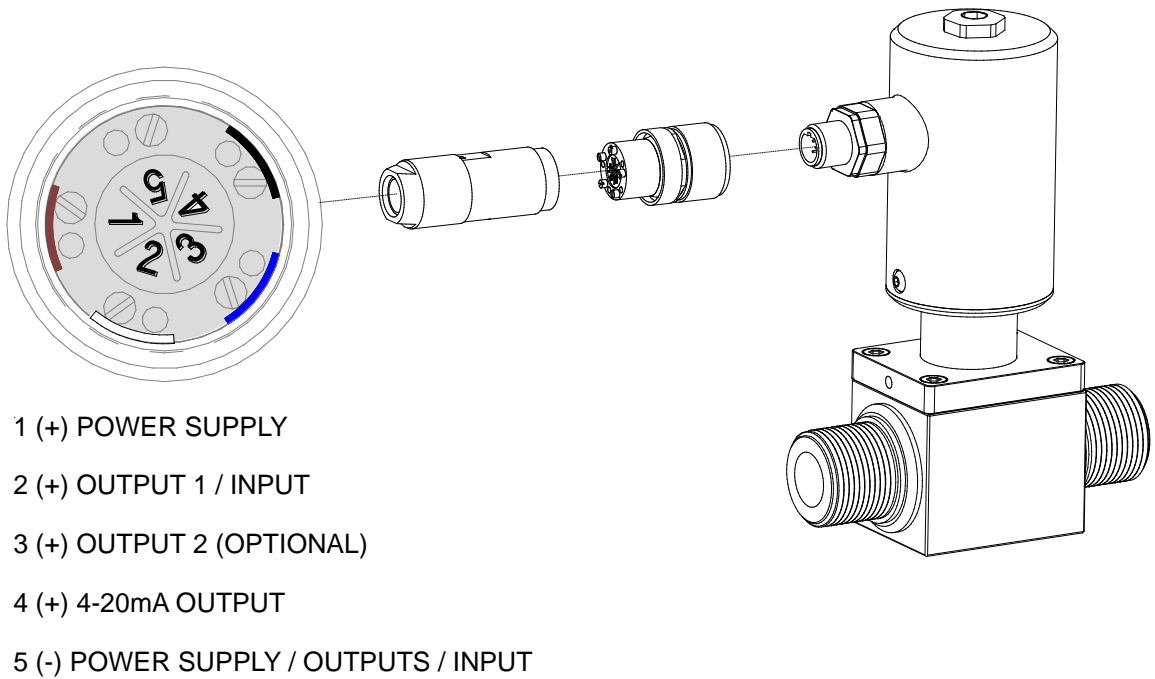
Lined body



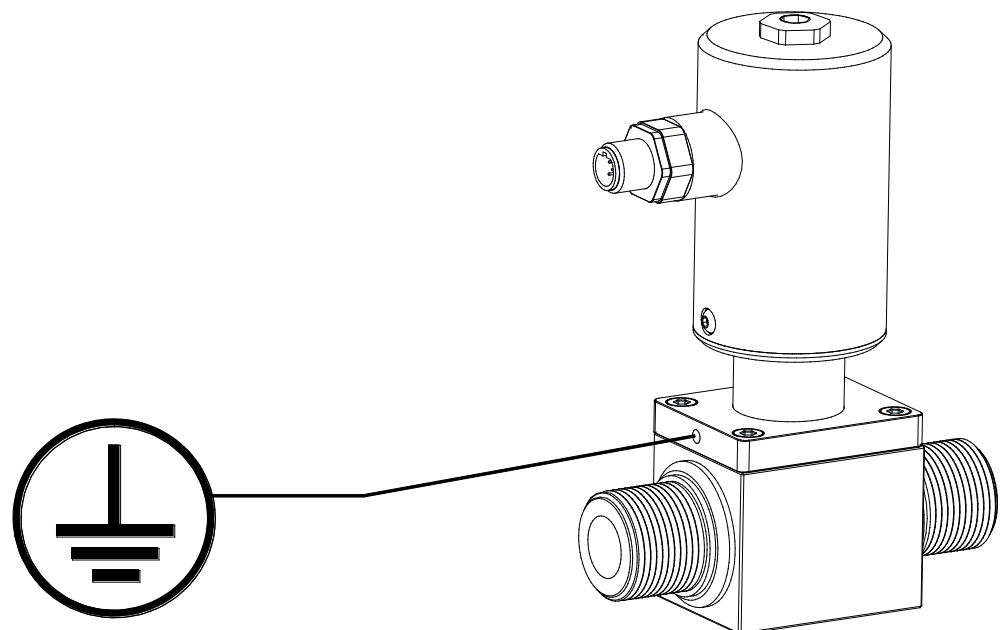
TORQUES	
PG7 Plug	4Nm
5 poles plug	4Nm
M4 screws	3Nm

ELECTRICAL CONNECTIONS

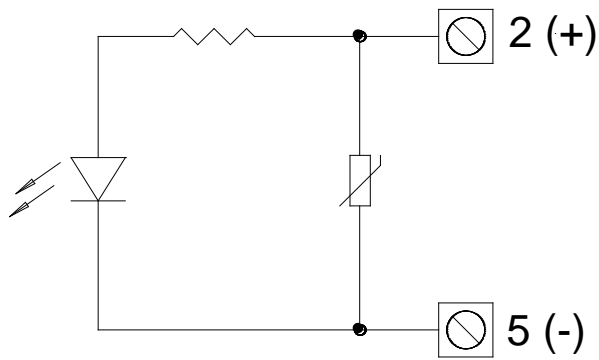
INPUT/OUTPUTS



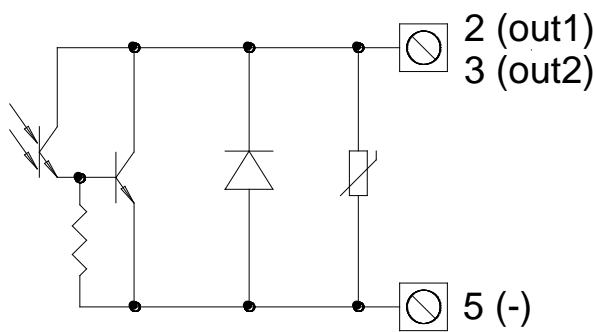
GROUNDING CONNECTION



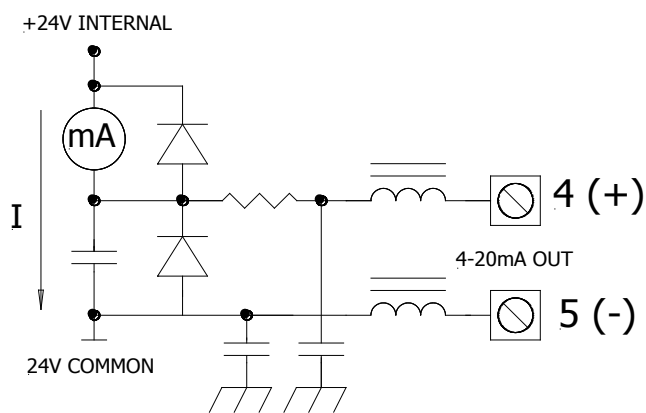
INPUT/OUTPUTS: SCHEMATICS



DIGITAL INPUT



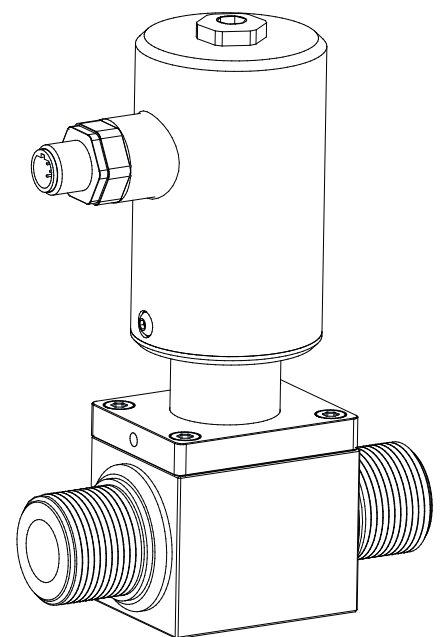
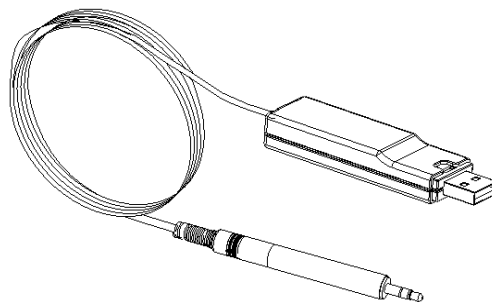
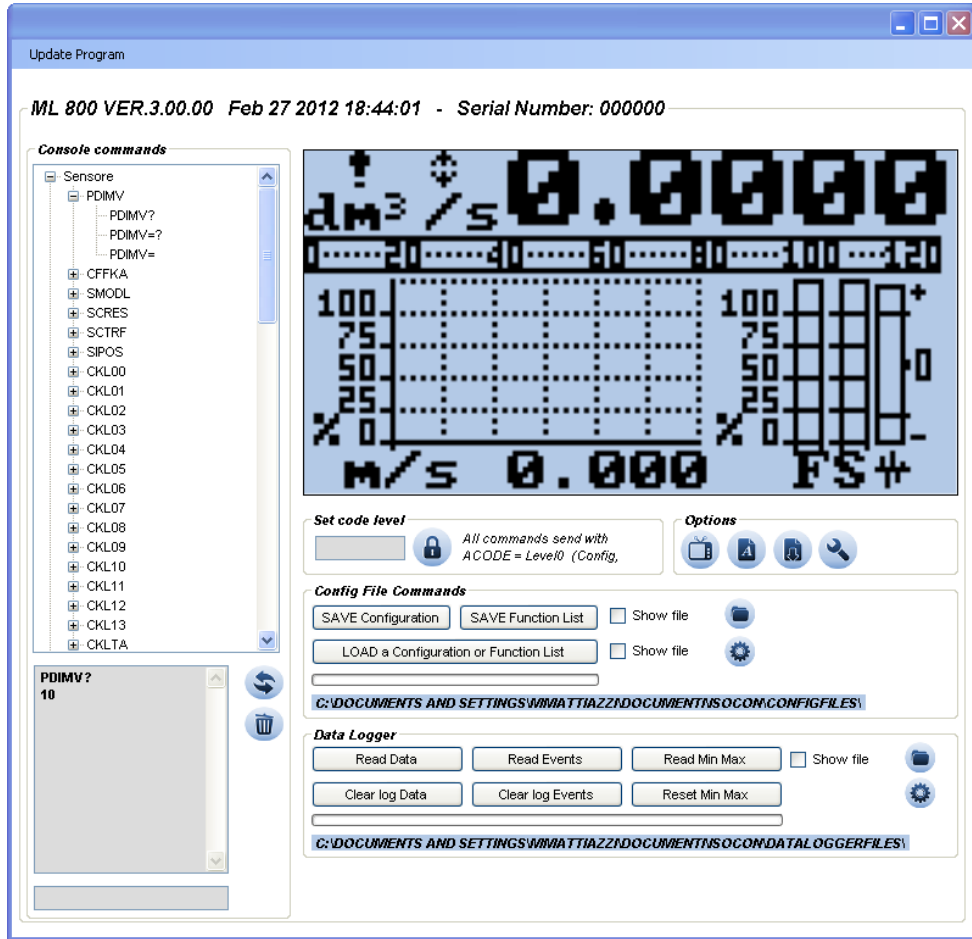
DIGITAL OUTPUTS



ANALOG OUTPUT

USER INTERFACE

MS 3900 can be programmed by ISOCON interface (IF23 is required)



AVAILABLE FUNCTIONS

```

MAIN MENU
1-Sensor
1-SENSOR
ND=mm 00015
KA= -01.4310
Sens.type= 018
E.P.detect= ON
E.cleaning= MAX
E.p.thr.= 200
Autozero cal.
    
```

- 1.1 Sensor ND (10-15-20mm)
- 1.2 Sensor calibration data, visualized on sensor label
- 1.3 Sensor type: enter the first two characters of the sensor serial number
- 1.4 Enables the empty pipe detection feature
- 1.5 Electrodes cleaning
- 1.6 Value of empty pipe sensibility detection
- 1.7 Enables the automatic procedure of zero calibration

```

MAIN MENU
1-Sensor
2-Scales
2-SCALES
Fsc= 1/h 4000.0
Ss.temp=°C +000
Fs.temp=°C +100
Tot.MU= ml 1.000
Pls1= ml 1000.00
Pls2= ml 1000.00
Tpls1=ms 0050.00
Tpls2=ms 0050.00
Sg=kg/dm³ 01.0000
    
```

- 2.1 Flow rate full scale value
- 2.2 Temperature start scale value
- 2.3 Temperature full scale value
- 2.4 Unit of measure and number of decimal place
- 2.5 Pulse value on channel 1
- 2.6 Pulse value on channel 2
- 2.7 Duration of the pulse generated on channel 1
- 2.8 Duration of the pulse generated on channel 2
- 2.9 Specific gravity set in kg/dm³

```

MAIN MENU
1-Sensor
2-Scales
3-Measure
3-MEASURE
Cut-off=% 00.0
AC filter=s 0.2
M.filter=s 006.0
    
```

- 3.1 Low flow zero threshold: 0-25% of full scale value
- 3.2 Main frequency filter
- 3.3 Measure filter

```

2-Scales
3-Measure
4-ALARMS
4-ALARMS
Al.max+=% 000
Al.min+=% 000
Al.max-=% 000
Al.min-=% 000
Al.max T=°C +100
Al.min T=°C +000
Hyst.=% 03
mA v.fault=% 010
    
```

- 4.1 Maximum value alarm set for direct flow rate
- 4.2 Minimum value alarm set for direct flow rate
- 4.3 Maximum value alarm set for reverse flow rate
- 4.4 Minimum value alarm set for reverse flow rate
- 4.5 Maximum value alarm set for temperature
- 4.6 Minimum value alarm set for temperature
- 4.7 Hysteresis threshold set for the minimum and maximum flow rate and temperature alarms
- 4.8 Current output value in case of failure

```

3-Measure
4-ALARMS
5-INPUTS
5-INPUTS
T+ reset= OFF
P+ reset= ON
T- reset= OFF
P- reset= ON
Count lock= ON
Calibration= OFF
    
```

- 5.1 Total direct (positive) flow totalizers reset enable
- 5.2 Partial direct (positive) flow totalizers reset enable
- 5.3 Total reverse (negative) flow totalizers reset enable
- 5.4 Partial reverse (negative) flow totalizers reset enable
- 5.5 Totalizers counting lock command
- 5.6 Autozero calibration external command

```

4-Alarms
5-Inputs
6-Outputs
6-OUTPUTS
1 Out1= OFF
1 Out2= PLS+
1 Out MA=4÷22
1 Out MA= TEMP
    
```

- 6.1 Output 1 functions
- 6.2 Output 2 functions
- 6.3 Choice of the current output range
- 6.4 Choice of the current output function: flow rate or temperature

```

5-Inputs
6-Outputs
8-Display
8-DISPLAY
1 Language= EN
1 D.rate=Hz 5
1 Quick start= OFF
1 T+ reset
1 P+ reset
1 T- reset
1 P- reset
    
```

- 8.1 Choice of the language: EN= English, IT=Italian, FR= French, SP= Spanish
- 8.2 Display updating frequency: 1-2-5-10 Hz
- 8.3 Quick start menu visualization
- 8.4 Total direct (positive) flow totalizer reset
- 8.5 Partial direct (positive) flow totalizer reset
- 8.6 Total reverse (negative) flow totalizer reset
- 8.7 Partial reverse (negative) flow totalizer reset

```

6-Outputs
8-Display
9-Data logger
9-DATA LOGGER
1 Disp.min/max
1 Reset min/max
    
```

- 9.1 Visualization function of minimum and maximum flow rate and temperature values
- 9.2 Immediate reset all minimum and maximum flow rate and temperature values stored

```

8-Display
9-Data logger
10-Diagnostic
10-DIAGNOSTIC
1 Calibration
1 Self test
1 Simulation= OFF
1 Firmware rev.
    
```

- 10.1 Immediate calibration of the instrument
- 10.2 Immediate autotest of the instrument
- 10.3 Flow rate simulation enabling
- 10.4 Visualize firmware revision/version

```

9-Data logger
10-Diagnostic
11-Internal data
11-INTERNAL DATA
1 L2 code= *****
1 Load fact.pres.
1 KR= +1.0000
1 KS= +1.0000
1 KTMP= +1.0500
    
```

- 11.1 Level 2 access code enter
- 11.2 Immediate Re-Load of the pre-set factory data
- 11.3 KR coefficient (only for service purposes)
- 11.4 KS coefficient (only for service purposes)
- 11.5 KTMP, temperature coefficient (only for service purposes)

HOW TO ORDER

CODE EXAMPLE	Size	
1	1	10 mm (thread 1/2")
	2	15 mm (thread 3/4")
	3	20 mm (thread 1")
	4	25 mm (thread 1")
	5	32 mm (thread 1"1/4)
	6	40 mm (thread 1"1/2)
	7	50 mm ((thread 2"))
Materials : body/lining /electrodes/ internal gasket		
A	A	Materials : PTFE coated Steel body, Sensor body in AISI304 (head in PTFE), electrodes in AISI316 , gasket in FKM
	Z	Sensor material: to be specified
Mounting		
0	0	UNI 338 (GAS)Thread Male
	1	NPT-Thread Male
	8	WIHTOUT FITTING
	9	Special connection
Electronic board		
A	A	SB 800 (Complete of n° 1 freely programmable digital I/O)
ANALOG Output		
0	0	without Analog Out
	1	with Analog Out
DIGITAL Output		
A	A	without Additional Digital Out
	B	n° 1 additional digital out



MS3900-1A0A0A (Complete code example for order)

Due to the constant technical development and improvements of its products, the manufacturer reserves the right to make changes and / or modify the information contained in this document without notice. Information contained herein is not binding.